

RELAX

Guy Bonneville

BLAM

DRIVEN BY PASSION

BM 100C

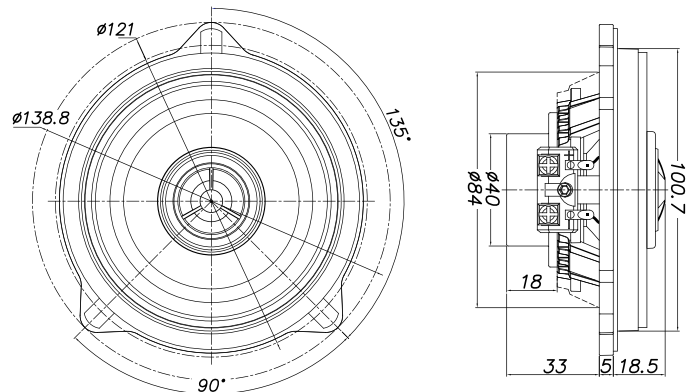
speaker

- 2-way 100 mm (4") coaxial BMW and Mini dedicated Speaker
- Max power 100 W - RMS power: 50 W
- Frequency response: 120 Hz – 20 kHz
- Sensitivity (2.83V/1m) 88 dB

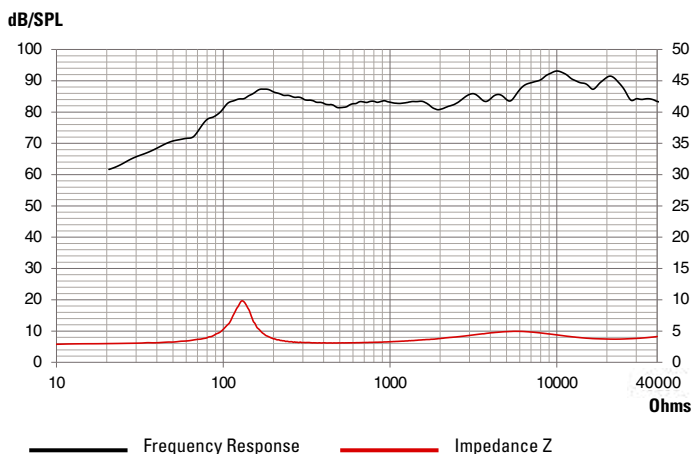


TECHNICAL SPECIFICATIONS

Component	Speaker	
Max power	100 W	
Nominal power	50 W	
Impedance	4 Ω	
Freq. Response	120 Hz - 20 KHz	
Sensitivity (2,83V/1m)	88 dB	
Magnet	Neodymium	
Magnet size Ø x h	24,5 x 7 mm	0,965" x 0,276"
Total driver displacement	0,08 l	0,003 cf
Weight of one component	0,28 kg	0,617 lb
Voice coil Ø	25 mm	0,984"
Voice coil height	5 mm	0,197"
Cone	Glass fiber	



FREQUENCY RESPONSE / IMPEDANCE



THIELE-SMALL PARAMETERS

effective Ø (d)	83 mm
Sd	54,11 cm ²
Xmax	1,00 mm
Re	3,0 Ω
Fs	130,26 Hz
Le	6,45 µH @ 1 kHz
L2	28,91 µH @10 kHz
Vas	1,00 L
Mms	6,14 g
Cms	0,000243 m/N
BL	3,06 Tm
Qts	1,12
Qes	1,61
Qms	3,66
Sensitivity (dB/W/m)	83,2 dB