

Signature

Guy Bonneville

BLAM

DRIVEN BY PASSION

FRS 3N50+

Extended frequency speaker

- Full-range driver 3" (80mm)
- Max. power: 100 W / Nom. power: 25 W
- Frequency response 200 Hz - 30 KHz
- Impedance 3 Ohms

Die cast aluminum Basket-Ultrarigid carbon fiber cone-IIR surround-Long life "conex" damper - 20mm Voice Coil, fiber glass former - Oversized neodymium ring Magnetic motor - Aluminum phase plug - Products matched to + -1 dB

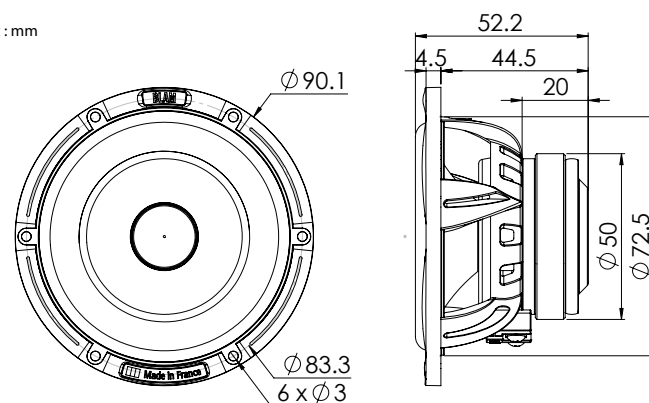
T-Yoke equipped with a faraday copper ring which limits the creation of Foucault currents

TECHNICAL SPECIFICATIONS

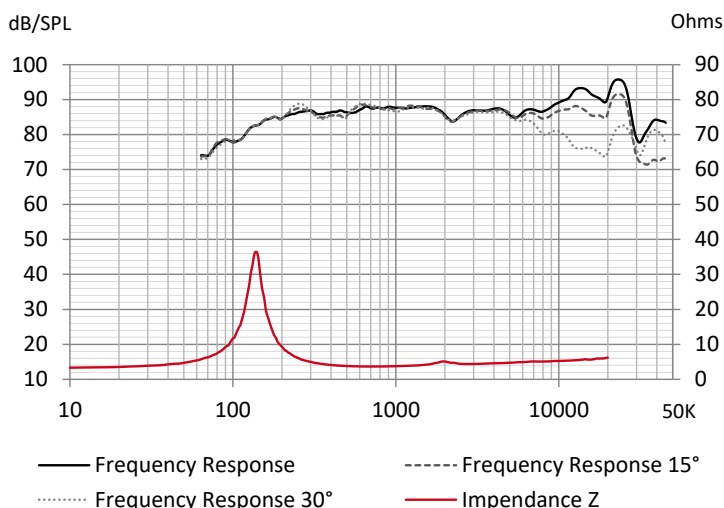
Component	Full-range	
Max power	100 W	
Nominal power	25 W	
Impedance	3 Ω	
Freq. Response	200 Hz - 30 KHz	
Sensitivity (2,83V/1m)	91.8 dB	
Magnet	Neodymium	
Magnet size Ø x h	50 x 9 mm	1.969" x 0.354 "
Total driver displacement	0.053 l	0.002 cf
Weight of one component	0.298 kg	0.657 lb
Voice coil Ø	20 mm	0.787"
Voice coil height	6 mm	0.236"
Cone	Carbon fiber	



Unit : mm



FREQUENCY RESPONSE / IMPEDANCE



THIELE-SMALL PARAMETERS

effective Ø (d)	61 mm
Sd	29,22 cm ²
Xmax	1 mm
Re	3.3 Ω
Fs	137.62 Hz
Le	19.90 µH @1 kHz
L2	256.66 µH @10 kHz
Vas	0.82 L
Mms	1.96 g
Cms	0.000681 m/N
BL	3.32 Tm
Qts	0.47
Qes	0.52
Qms	5.04
Sensitivity (dB/W/m)	88.1 dB

contact@blam-audio.fr

www.facebook.com/blamaudio

www.blam-audio.com