

Mid / Kickwoofer

GZUK 165SQ

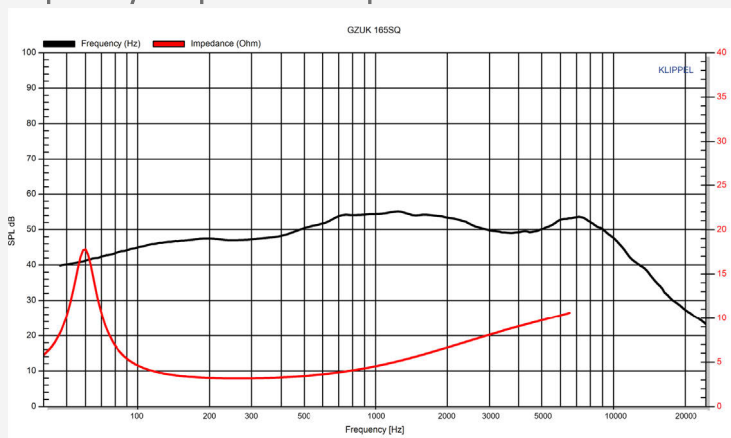


Main features

- High-Quality SQ mid/kickwoofer
- Klippel® optimized
- Black anodized aluminum cone
- GZ-design aluminum cast basket
- High-efficient, linearized neodymium motor
- 50mm / 2" underhung copper voice coil
- Durable rubber surround
- Gold plated terminal
- GZ-design hexagon protection grill

Art.nr 32323030

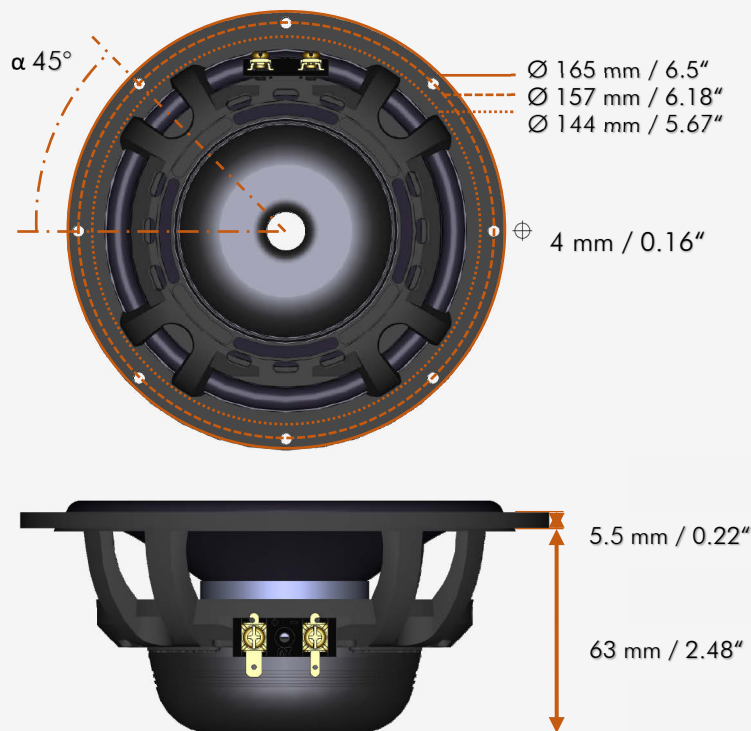
Frequency response / impedance



Audio parameters (TSP)

Efficiency (SPL)	87 dB (1 W / 1 m)
F_s	54.6 Hz
Q_{es}	0.77
Q_{ms}	3.87
Q_{ts}	0.64
V_{as}	12.6 L / 0.44 cu.ft.
M_{ms}	16.3 g
B_L	4.84 Tm
X_{max} (peak to peak)	12 mm / 0.47 inch
C_{ms}	0.52 mm/N
R_{ms}	1.44 kg/s
L_e	0.17 mH (@ 1kHz)
R_e	3.2 Ω
S_d	128.6 cm ² / 19.93 sqin

Dimensions



Specifications

Nominal diameter	165 mm / 6.5"
Frequency response	40 Hz – 3500 Hz
Magnet system	Linearized neodymium
Voice coil \varnothing	50 mm / 2"
Voice coil wire	Copper
Cone material	Anodized aluminum
Dust cap material	Soft dome
Rec. high pass freq.	60 Hz (12 dB/oct.)
Rec. low pass freq.	3500 Hz (12 dB/oct.)
Speaker terminal	Gold plated screw / solder
Impedance (nominal)	4 Ω
Max. power handling	180 Watts max.
Cont. power handling	120 Watts RMS
Protection grill	GZ-design hexagon style