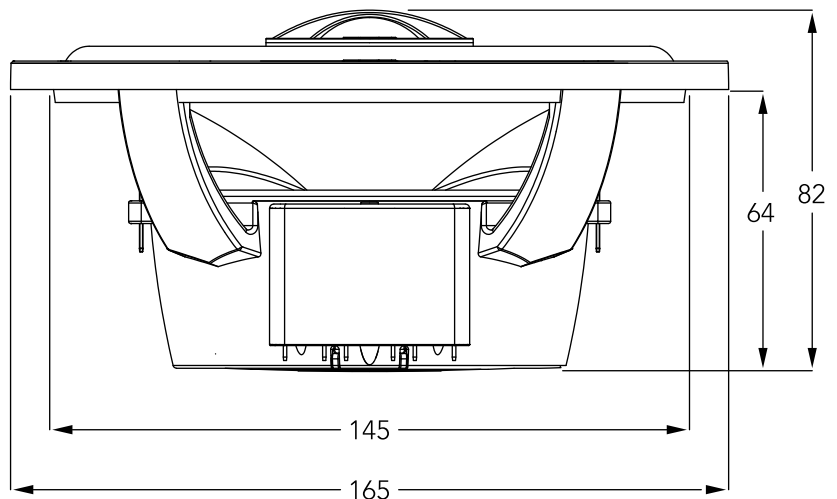
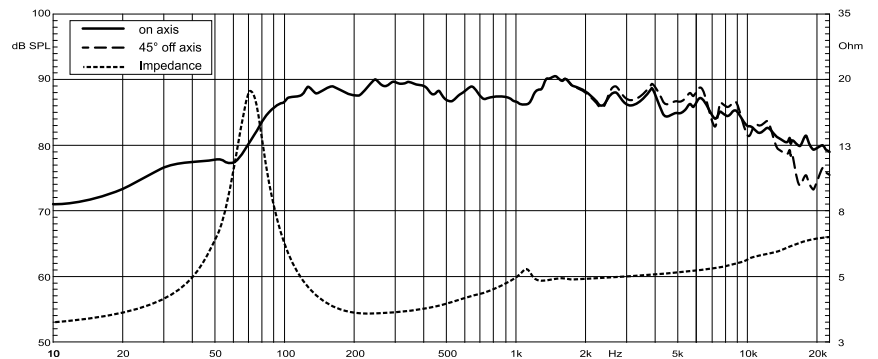


- FEA motor optimized
- 25 mm copper/aluminum voice coil
- High temperature aluminum former
- Large high grade ferrite magnet woofer
- N42 neodymium magnet tweeter
- Axial forced coil ventilation
- Fiber reinforced paper cone woofer
- Hi module silk dome tweeter
- Oversized single wave rubber suspension
- Poly cotton spider
- Computer designed ABS frame
- Motor metal part CNC machined



ABS basket reinforced with fiberglass. The basket has been engineered in order to obtain the maximum in terms of torsional rigidity (bending), but at the same time offer the minimum resistance to the passage of air. Pressed paper cone (woofer) with waterproof treatment. It is widely recognized that cones made of paper are the best marriage of lightness, stiffness and the ability of the cone to dampen any unwanted vibration (read: distortion). High damping single wave rubber surround. The edge is much more stable when the temperature changes than the classic rubber. The 25 mm voice coil uses an aluminum support and a winding with a double layer technology of copper wire with an aluminum core. High grade ferrite magnet (woofer), and N42 neodymium magnet (tweeter) with significantly higher performance than the classic "standard" ones.

SPECIFICATIONS			
Technical Characteristics	Symbol	Value	Units
SYSTEM GENERAL DATA			
Overall Dimension	D x h	165x 82	mm
Nominal Power Handling (AES)*	P	120	W
Transient Power *	Pp	240	W
Sensitivity 1W/1m	SPL	88.5	dB SPL
Frequency Response		65 - 25.000	Hz
Nominal Impedance	Z	4	Ω
Woofer cone Material	Fiber reinforced high strength paper		
Tweeter dome Material	High module silk		
*Nominal and Transient power @ High Pass 80Hz - 12db/Oct			
WOOFER VOICE COIL AND MAGNET PARAMETERS			
Voice Coil Diameter	Dia	25	mm
Magnet System	Ferite Y-35		
BL Product	BxL	4.39	Na
TWEETER VOICE COIL AND MAGNET PARAMETERS			
Voice Coil Diameter	Dia	25.4	mm
Magnet System	Neodymium N-42H		
BL Product	BxL	2.3	Na
WOOFER T&S PARAMETERS			
DC Resistance	Ω	3.11	Ω
Suspension Compliance	Cms	0.516	N/m
Mechanical Q Factor	Qms	3.026	
Electrical Q Factor	Qes	0.766	
Total Q Factor	Qts	0.611	
Moving Mass	mms	11.63	g
Eq. Comp. Air Load	VAS	13.93	l
Resonance Frequency	Fs	64.98	Hz
TWEETER T&S PARAMETERS			
DC Resistance	Ω	3.71	Ω
Mechanical Q Factor	Qms	1.129	
Electrical Q Factor	Qes	1.686	
Total Q Factor	Qts	0.676	
Resonance Frequency	Fs	1300	Hz



All measurements in millimeters