

28 mm aluminum voice coil
 32.8 mm nominal diameter
 High-grade neodymium magnet
 Carbon fiber composites dome
 Ferrofluid cooling and damping
 Acoustic resistance Qts control
 Computer optimized design
 Motor metal parts CNC machined
 Under-dome dB Cloth® damping material
 Removable faceplate
 Removable grill
 Multi-orientation "cup"



The carbon fiber reinforced, polymer matrix, composite dome, ensures extraordinary rigidity combined with a very low weight.

The 28 mm aluminum voice coil allows the use of very high power for this kind of component.

The tweeter uses a very large, vented neodymium motor magnet optimized with computer simulations (FEA) to obtain a greater efficiency and improve linearity along all the voice coil's excursion.

Neodymium magnet is a high-grade type to reduce magnetic loss at elevated temperature and concentrate more energy in a small space.

All motor parts are made by CNC process. This gives tighter tolerances and improved performance.

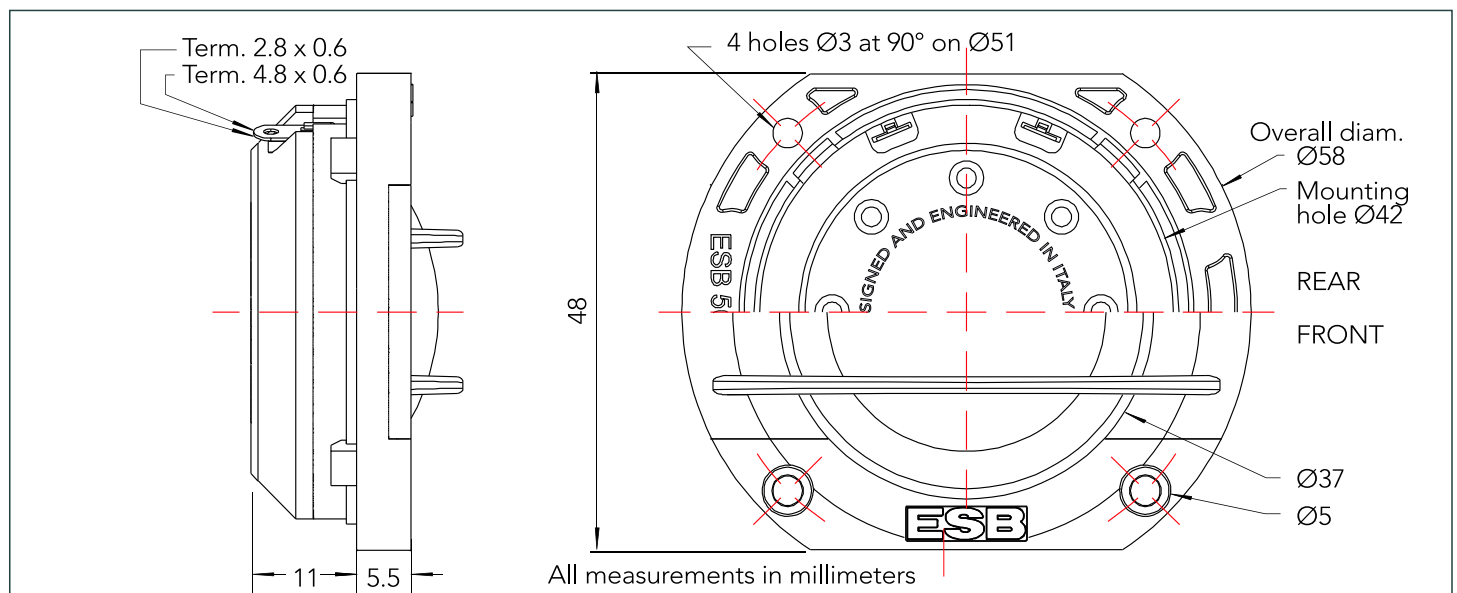
Great attention was paid to the axial and radial ventilation of the moving coil, this to ensure high power handling, with reduced distortion, and increased durability. The axial ventilation holes reduce the compression of the air at the back of the dome with greatly reduced distortion and extended response into lower frequencies.

A special acoustic resistance helps to control the tweeter Qts.

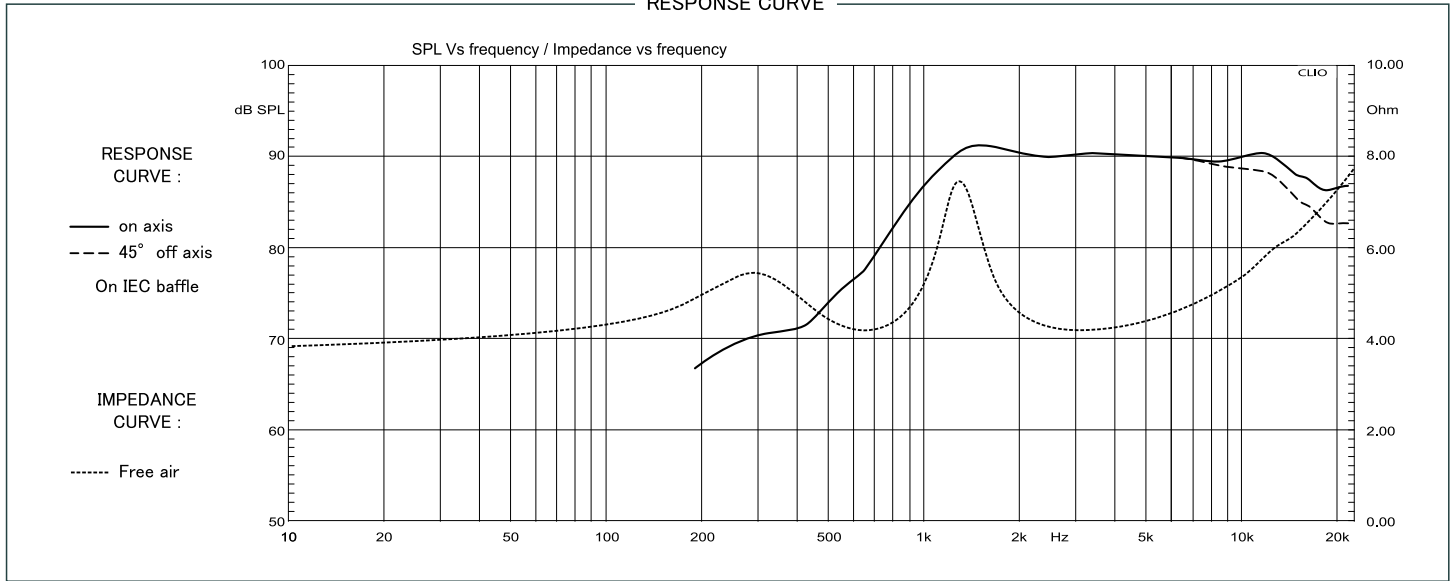
Residual resonances are killed by the under-dome, dB Cloth® damping material, this extends the frequency response to the lower limits and reduces harmonic distortion.

The faceplate can be removed by clips and replaced with an adapter for back side installation.

For tweeter flush mounting you can use the 4 chrome front screws (supplied), or a mounting cup (supplied) for surface mounting.

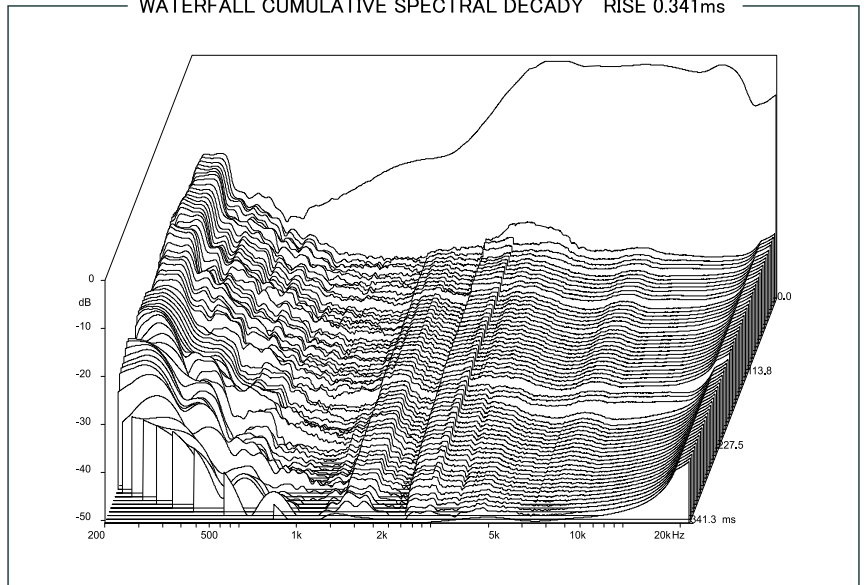


RESPONSE CURVE



SPECIFICATIONS			
Technical Characteristics	Symbol	Value	Units
GENERAL DATA			
Overall Dimension	D x h	73 x 18	mm
Nominal Power Handling (AES)*	P	110	W
Transient Power *	Pp	220	W
Sensitivity 1W/1m	SPL	91	dB SPL
Frequency Response		900 – 25.000	Hz
Net Weight		86	g
Dome Material		Carbon fibres and epoxy resin matrix	
*Nominal and Transient power @ High Pass 2KHz-12db/Oct			
ELECTRICAL DATA			
Nominal Impedance	Z	4	Ω
DC Resistance	Re	3.5	Ω
Voice coil Inductance	Lbm	0.043	μH
VOICE COIL AND MAGNET PARAMETERS			
Voice Coil Diameter	Dia	28	mm
Voice coil Height	h	2.5	mm
Number of layers	n	2	
Voice Coil Former		Aluminum	
Magnet System		Neodymium Vented	
Magnetic Gap Height	HE	3	mm
Max Linear excursion	Xmax	±0.5	mm
Flux density	B	1.3	T
BL Product	BxL	4.35	Na
Magnet dimension	Ø x h	27 x 6	mm
Magnet weight	m	25.7	g
T&S PARAMETERS			
Mechanical Q Factor	Qms	1.95	
Electrical Q Factor	Qes	1.73	
Total Q Factor	Qts	0.91	
Suspension Compliance	Cms	0.32	N/m
Mechanical Resistance	Rms	1.7	Ω
Moving Mass	mms	0.71	g
Eq. Comp. Air Load	VAS	0.011	l
Resonance Frequency	Fs	710	Hz
Effective Piston Area	SD	8.49	cm ²
CROSSOVER VALUE			
Fc	Crossover frequency	Hz	
L	Inductor	mH	
C	Capacitor	μF	
R	Resistance	Ω	
P	Reduction from Nominal Power	%	
S	Crossover Slope	dB/Oct	

WATERFALL CUMULATIVE SPECTRAL DECADY RISE 0.341ms



SUGGESTED APPLICATION

	Fc 2000	2500	3000	3500	4000
S	6	6	6	6	6
C	19	16	14	12	10
P	-35	-15			
Att.	-2	-4	-6	-9	-12
R	1.5	2.5	4.4	10	14.6

	Fc 2000	2500	3000	3500	4000
S	6	6	6	6	6
C	14	11.5	10	8.2	7.2
L	0.47	0.35	0.28	0.25	0.21