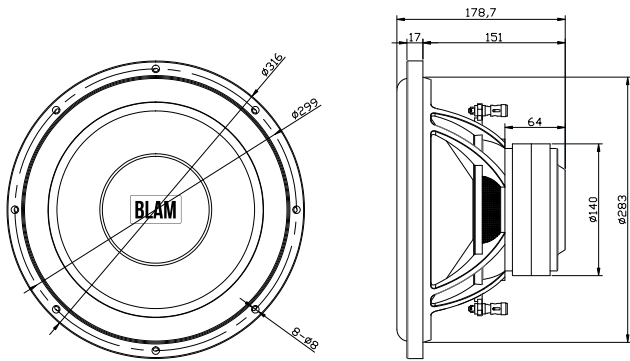


LIVE

L30 DB

Subwoofer

- 300 mm (12") subwoofer
- Max. power 800 W / Nominal Power 400 W



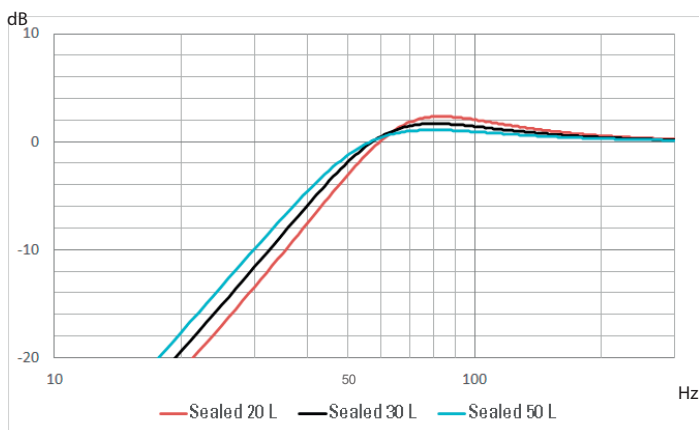
Driven by passion.

TECHNICAL SPECIFICATIONS

Component	Subwoofer	
Max power	800 W	
Nominal power	400 W	
Impedance	2 x 2 Ω	
Freq. Response	45 Hz - 500 Hz	
Sensitivity (2,83V/1m)	93.1 dB	
Magnet	Ferrite Y30	
Magnet size Ø x h	2 x 140 x 20 mm	2 x 5.512" x 0.787"
Total driver displacement	1.5 l	0.053 cf
Weight of one component	6.1 kg	13.448 lb
Voice coil Ø	60 mm	2.362"
Voice coil height	30 mm	1.181"
Cone	Paper	

THIELE-SMALL PARAMETERS

effective Ø (d)	250 mm
Sd	490.87 cm ²
Xmax	13 mm
Re	1.27 Ω
Fs	42.99 Hz
Le	335.48 µH @ 1 kHz
L2	896.69 µH @ 10 kHz
Vas	24.11 L
Mms	192.53 g
Cms	0.000071 m/N
BL	8.47 Tm
Qts	0.83
Qes	0.92
Qms	8.71



SEALED

Internal volume Vb	Qtc	F-3dB	Boost
20 L	1.197	49 Hz	2.4 dB at 77 Hz
30 L	1.078	46 Hz	1.7 dB at 73 Hz
50 L	0.973	43 Hz	1.1 dB at 72 Hz