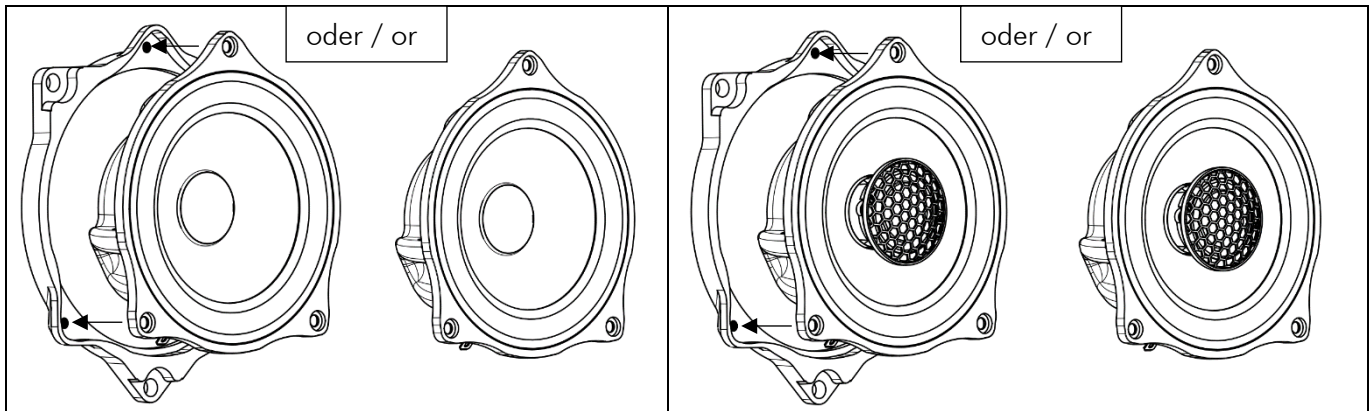


BMW - Kompatibilitätsliste / Compatibility list



Für einige Fahrzeugmodelle ist die Montage des mitgelieferten Montageringes notwendig. Dieser wird von hinten mit dem Lautsprecher verschraubt und anschließend im Fahrzeug verbaut.

For some vehicle models it is required to mount the supplied mounting ring. The ring is screwed to the loudspeaker from behind and then installed in the vehicle.

| MINI | | | | |
|---------------------------|--|--|---|-------------------------------------|
| Model / Mounting position | Front Doors | Rear Doors | Center Speaker | Central Bass |
| R60 Countryman | GZCS 100.2BMW* 2-way component system | GZCS 100.2BMW* 2-way component system | n/a | GZCS 200BMW-SW 2-ohms impedance |
| R61 Paceman | | | GZCS BMW-CENTER* 2-way coaxial loudspeaker | |
| F54 Clubman | GZCS F-4.0BMW 2-way coaxial loudspeaker | GZCS F-4.0BMW 2-way coaxial loudspeaker | | |
| F55 5-door hatchback | | | | GZCS 200BMW-SW4 4-ohms impedance |
| F56 3-door hatchback | | | | |
| F57 2-door cabriolet | | | | |
| F60 Countryman | | | | |

*Note: Only cars with OEM Top-Hifi system offer the original tweeter and center speaker mounting position!

| BMW Z4 | | | | |
|---------------------------|--|--|--|-------------------------------------|
| Model / Mounting position | Front Doors | Rear / Trunk Wall | Center Speaker | Central Bass |
| E89 Roadster | GZCS 100.2BMW 2-way component system | GZCS F-4.0BMW 2-way coaxial loudspeaker | GZCS BMW-CENTER 2-way coaxial loudspeaker | n/a |
| G29 Roadster | GZCS F-4.0BMW 2-way coaxial loudspeaker | | | GZCS 200BMW-SW / GZCS 200BMW-SW4 |

| BMW 1 series | | | | | | |
|---------------------------|--|--|---------------------------------|---|------------------------------------|-------------------------------------|
| Model / Mounting position | Front Doors | Rear Doors | Center Speaker | Rear Shelf or Side Panel | Central Bass | |
| E81 3-door hatchback | GZCS 100.2BMW* 2-way component system | n/a | n/a | GZCS F-4.0BMW 2-way coaxial loudspeaker | GZCS 200BMW-SW 2-ohms impedance | |
| E82 Coupé | | | | | | |
| E87 5-door hatchback | | GZCS F-4.0BMW 2-way coaxial loudspeaker | GZCS 100.2BMW* GZCS F-4.0BMW | GZCS BMW-CENTER* 2-way coaxial loudspeaker | n/a | GZCS 200BMW-SW4 4-ohms impedance |
| E88 Cabriolet | | | | | | |
| F20 5-door hatchback | | | | | | |
| F21 3-door hatchback | | | | | | |
| F40 5-door hatchback | | | | | | |
| F52 4-door sedan | | | | | | |

*Note: Only cars with OEM Top-Hifi system may offer the original tweeter and center speaker mounting positions!

| BMW 2 series | | | | | |
|--|---|-------------------------------|---|--|---|
| Model / Mounting position | Front Doors | Rear Doors | Center Speaker | Rear Shelf or Side Panel | Central Bass |
| F22 Coupé F23 Cabriolet F44 Gran Coupé F45 Active Tourer F46 Gran Tourer F87 M2 Coupé G42 Coupé U06 Active Tourer | GZCS 100.2BMW 2-way component system GZCS F-4.0BMW 2-way coaxial loudspeaker | n/a | GZCS BMW-CENTER* 2-way coaxial loudspeaker | GZCS F-4.0BMW 2-way coaxial loudspeaker | GZCS 200BMW-SW 2-ohms impedance GZCS 200BMW-SW4 4-ohms impedance |
| | | GZCS 100.2BMW / GZCS F-4.0BMW | | n/a | |
| | | n/a | | GZCS F-4.0BMW 2-way coaxial loudspeaker | |
| | | GZCS 100.2BMW / GZCS F-4.0BMW | | n/a | |

*Note: Only cars with OEM Top-Hifi system may offer the original tweeter and center speaker mounting positions!

| BMW 3 series | | | | | |
|---|---|--|--|--|---|
| Model / Mounting position | Front Doors | Rear Doors | Center Speaker | Rear Shelf or Side Panel | Central Bass |
| E90 Sedan E91 Touring E92 Coupé E93 Cabriolet F30 Sedan F31 Touring F34 Gran Turismo F35 Sedan Long Version F80 M3 Sedan G20 Sedan G21 Touring G28 Sedan G80 M3 Sedan | GZCS 100.2BMW 2-way component system GZCS F-4.0BMW 2-way coaxial loudspeaker | n/a | GZCS BMW-CENTER 2-way coaxial loudspeaker | GZCS F-4.0BMW | GZCS 200BMW-SW 2-ohms impedance GZCS 200BMW-SW4 4-ohms impedance |
| | | GZCS 100.2BMW / GZCS F-4.0BMW | | n/a | |
| | | n/a | | GZCS F-4.0BMW 2-way coaxial loudspeaker | |
| | | GZCS 100.2BMW GZCS F-4.0BMW | | n/a | |
| | | | | GZCS F-4.0BMW 2-way coaxial loudspeaker | |
| | | | | n/a | |
| | | GZCS F-4.0BMW 2-way coaxial loudspeaker | | | |

*Note: Only cars with OEM Top-Hifi system may offer the original rear shelf mounting positions!

| BMW 4 series | | | | | |
|--|---|-------------------------------|--|---|---|
| Model / Mounting position | Front Doors | Rear Doors | Center Speaker | Rear Shelf or Side Panel | Central Bass |
| F32 Coupé F33 Cabriolet F36 Gran Coupé F82 M4 Coupé F83 M4 Cabriolet G22 Coupé G23 Cabriolet | GZCS 100.2BMW 2-way component system GZCS F-4.0BMW 2-way coaxial loudspeaker | n/a | GZCS BMW-CENTER 2-way coaxial loudspeaker | GZCS F-4.0BMW* 2-way coaxial loudspeaker | GZCS 200BMW-SW 2-ohms impedance GZCS 200BMW-SW4 4-ohms impedance |
| | | GZCS 100.2BMW / GZCS F-4.0BMW | | | |
| | | n/a | | | |

*Note: Only cars with OEM Top-Hifi system may offer the original rear shelf mounting positions!

| BMW 5 series | | | | | |
|--|---|--|--|--|---|
| Model / Mounting position | Front Doors | Rear Doors | Center Speaker | Rear Shelf or Headliner | Central Bass |
| E60 Sedan E61 Touring F07 Gran Turismo F10 Sedan (F18) F11 Touring G30 Sedan (G38) G31 Touring | GZCS 100.2BMW 2-way component system GZCS F-4.0BMW 2-way coaxial loudspeaker | GZCS F-4.0BMW 2-way coaxial loudspeaker | GZCS BMW-CENTER 2-way coaxial loudspeaker | GZCS F-4.0BMW 2-way coaxial loudspeaker | GZCS 200BMW-SW 2-ohms impedance GZCS 200BMW-SW4 4-ohms impedance |
| | | GZCS 100.2BMW GZCS F-4.0BMW | | | |
| | | | | | |
| | | n/a | | | |

| BMW 6 series | | | | | |
|--|---|-------------------------------|--|--|---|
| Model / Mounting position | Front Doors | Rear Doors | Center Speaker | Rear Shelf or Side Panel | Central Bass |
| E63 Coupé E64 Cabriolet F06 Gran Coupé F12 Coupé F13 Cabriolet G32 Gran Turismo | GZCS 100.2BMW 2-way component system GZCS F-4.0BMW 2-way coaxial loudspeaker | n/a | GZCS BMW-CENTER 2-way coaxial loudspeaker | GZCS F-4.0BMW 2-way coaxial loudspeaker | GZCS 200BMW-SW 2-ohms impedance GZCS 200BMW-SW4 4-ohms impedance |
| | | GZCS 100.2BMW / GZCS F-4.0BMW | | | |
| | | n/a | | | |
| | | GZCS 100.2BMW / GZCS F-4.0BMW | | n/a | |

| BMW 7 series | | | | | |
|-------------------------------------|---|---------------|--|--------------------------|------------------------------------|
| Model / Mounting position | Front Doors | Rear Doors | Center Speaker | Rear Shelf or Side Panel | Central Bass |
| E65 Sedan E66 Sedan Long Version | GZCS 100.2BMW 2-way component system | GZCS 100.2BMW | GZCS BMW-CENTER 2-way coaxial loudspeaker | n/a | GZCS 200BMW-SW 2-ohms impedance |

| | | | | | |
|--|--|---------------|--|--|-------------------------------------|
| F01 Sedan F02 Sedan Long Version G11 Sedan G12 Sedan Long Version | GZCS F-4.0BMW 2-way coaxial loudspeaker | GZCS F-4.0BMW | | GZCS F-4.0BMW 2-way coaxial loudspeaker | GZCS 200BMW-SW4 4-ohms impedance |
|--|--|---------------|--|--|-------------------------------------|

| BMW 7 series | | | | | |
|---|---|--------------------------------|--|---|---|
| Model / Mounting position | Front Doors | Rear Doors | Center Speaker | Rear Shelf or Side Panel | Central Bass |
| E65 Sedan E66 Sedan Long Version F01 Sedan F02 Sedan Long Version G11 Sedan G12 Sedan Long Version | GZCS 100.2BMW 2-way component system GZCS F-4.0BMW 2-way coaxial loudspeaker | GZCS 100.2BMW GZCS F-4.0BMW | GZCS BMW-CENTER 2-way coaxial loudspeaker | n/a GZCS F-4.0BMW 2-way coaxial loudspeaker | GZCS 200BMW-SW 2-ohms impedance GZCS 200BMW-SW4 4-ohms impedance |

| BMW 8 series | | | | | |
|--|---|---|--|---|---|
| Model / Mounting position | Front Doors | Rear Doors | Center Speaker | Rear Shelf or Side Panel | Central Bass |
| G14 Cabriolet G15 Coupé G16 Gran Coupé ----- I12 i8 Roadster | GZCS 100.2BMW 2-way component system GZCS F-4.0BMW 2-way coaxial loudspeaker | n/a GZCS 100.2BMW / GZCS F-4.0BMW n/a | GZCS BMW-CENTER 2-way coaxial loudspeaker | n/a GZCS F-4.0BMW 2-way coaxial loudspeaker | GZCS 200BMW-SW 2-ohms impedance GZCS 200BMW-SW4 4-ohms impedance |

| BMW X1 series | | | | | |
|---|---|---|--|--------------------------|---|
| Model / Mounting position | Front Doors | Rear Doors | Center Speaker | Rear Shelf or Side Panel | Central Bass |
| E84 SUV F48 SUV F49 SUV Long Version U11 SUV & iX1 SUV | GZCS 100.2BMW 2-way component system GZCS F-4.0BMW 2-way coaxial loudspeaker | n/a GZCS 100.2BMW GZCS F-4.0BMW | GZCS BMW-CENTER 2-way coaxial loudspeaker | GZCS F-4.0BMW n/a | GZCS 200BMW-SW 2-ohms impedance GZCS 200BMW-SW4 4-ohms impedance |

| BMW X2 series | | | | | |
|---------------------------|---|---|--|--------------------------|---|
| Model / Mounting position | Front Doors | Rear Doors | Center Speaker | Rear Shelf or Side Panel | Central Bass |
| F39 SUV | GZCS 100.2BMW 2-way component system GZCS F-4.0BMW 2-way coaxial loudspeaker | GZCS 100.2BMW 2-way component system GZCS F-4.0BMW 2-way coaxial loudspeaker | GZCS BMW-CENTER 2-way coaxial loudspeaker | n/a | GZCS 200BMW-SW 2-ohms impedance GZCS 200BMW-SW4 4-ohms impedance |

| BMW X3 series | | | | | |
|--|---|---|---|-------------------------------------|---|
| Model / Mounting position | Front Doors | Rear Doors | Center Speaker | Headlining / Pillar | Central Bass |
| E83 SUV F25 SUV G01 SUV F97 X3 M SUV G08 iX3 SUV | GZCS 100.2BMW 2-way component system GZCS F-4.0BMW 2-way coaxial loudspeaker | GZCS 100.2BMW 2-way component system GZCS F-4.0BMW 2-way coaxial loudspeaker | n/a GZCS BMW-CENTER 2-way coaxial loudspeaker | n/a GZCS F-4.0BMW n/a | GZCS 200BMW-SW 2-ohms impedance GZCS 200BMW-SW4 4-ohms impedance |

| BMW X4 series | | | | | |
|---------------------------|---|---|--|---|---|
| Model / Mounting position | Front Doors | Rear Doors | Center Speaker | Headlining / Pillar | Central Bass |
| F26 G02 | GZCS 100.2BMW 2-way component system GZCS F-4.0BMW 2-way coaxial loudspeaker | GZCS 100.2BMW 2-way component system GZCS F-4.0BMW 2-way coaxial loudspeaker | GZCS BMW-CENTER 2-way coaxial loudspeaker | GZCS F-4.0BMW 2-way coaxial loudspeaker n/a | GZCS 200BMW-SW 2-ohms impedance GZCS 200BMW-SW4 4-ohms impedance |

| BMW X5 series | | | | | |
|---|--|--|--|---|---|
| Model / Mounting position | Front Doors | Rear Doors | Center Speaker | Headlining / Pillar | Central Bass |
| E70 SUV G05 SUV F15 SUV F85 X5 M SUV | GZCS 100.2BMW 2-way component system GZCS F-4.0BMW 2-way coaxial loudspeaker n/a | GZCS 100.2BMW 2-way component system GZCS F-4.0BMW 2-way coaxial loudspeaker n/a | GZCS BMW-CENTER 2-way coaxial loudspeaker | n/a GZCS F-4.0BMW 2-way coaxial loudspeaker | GZCS 200BMW-SW 2-ohms impedance GZCS 200BMW-SW4 4-ohms impedance |

| BMW X6 series | | | | | |
|---------------------------|--|--|--|--|-------------------------------------|
| Model / Mounting position | Front Doors | Rear Doors | Center Speaker | Headlining / Pillar | Central Bass |
| E71 SUV (E72) | GZCS 100.2BMW 2-way component system | GZCS 100.2BMW 2-way component system | GZCS BMW-CENTER 2-way coaxial loudspeaker | n/a | GZCS 200BMW-SW / GZCS 200BMW-SW4 |
| G06SUV | GZCS F-4.0BMW 2-way coaxial loudspeaker | GZCS F-4.0BMW 2-way coaxial loudspeaker | | GZCS F-4.0BMW 2-way coaxial loudspeaker | n/a |
| F16 SUV | n/a | n/a | | | GZCS 200BMW-SW / GZCS 200BMW-SW4 |

| BMW X7 series | | | | |
|---------------------------|---|---|--|---|
| Model / Mounting position | Front Doors | Rear Doors | Center Speaker | Central Bass |
| G07SUV | GZCS 100.2BMW 2-way component system GZCS F-4.0BMW 2-way coaxial loudspeaker | GZCS 100.2BMW 2-way component system GZCS F-4.0BMW 2-way coaxial loudspeaker | GZCS BMW-CENTER 2-way coaxial loudspeaker | GZCS 200BMW-SW 2-ohms impedance GZCS 200BMW-SW4 4-ohms impedance |

| BMW iX | | | | |
|---------------------------|---|---|--|---|
| Model / Mounting position | Front Doors | Rear Doors | Center Speaker | Central Bass |
| i20 iX SUV | GZCS 100.2BMW 2-way component system GZCS F-4.0BMW 2-way coaxial loudspeaker | GZCS 100.2BMW 2-way component system GZCS F-4.0BMW 2-way coaxial loudspeaker | GZCS BMW-CENTER 2-way coaxial loudspeaker | GZCS 200BMW-SW 2-ohms impedance GZCS 200BMW-SW4 4-ohms impedance |