

- FEA motor optimized
- 25 mm copper/aluminum voice coil
- High temperature aluminum former
- Large high grade ferrite magnet
- Axial forced coil ventilation
- Fiber reinforced paper cone
- Oversized single wave rubber suspension
- Poly cotton spider
- ABS basket with self damping system
- Balanced symmetrical construction
- Computer optimized design
- Fatigue resistant lead wire, bal. connect.

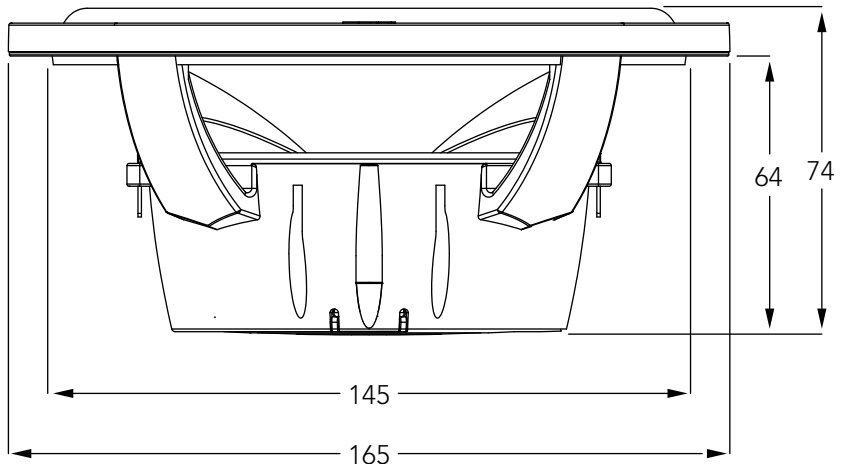
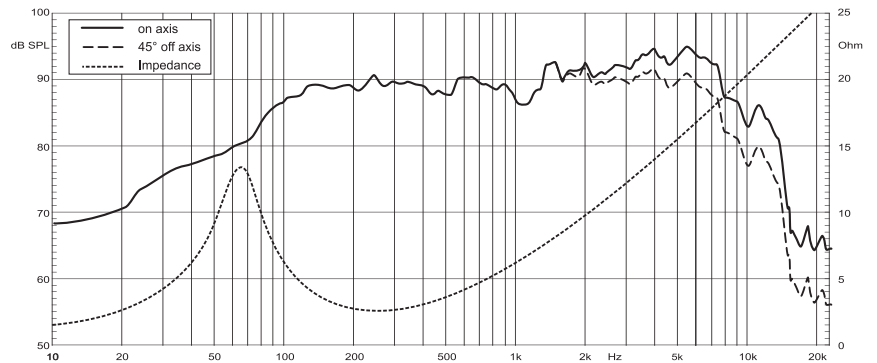


ABS basket reinforced with fiberglass. The basket have been engineered in order to obtain the maximum in terms of torsional rigidity (bending), but at the same time offer the minimum resistance to the passage of air. Pressed paper cone with waterproof treatment. It is widely recognized that cones made of paper are the best marriage of lightness, stiffness and the ability of the cone to dampen any unwanted vibration (read: distortion). High damping single wave rubber surround. The Perbunan rubber edge is much more stable when the temperature changes than the classic rubber. The 25 mm voice coil uses an aluminum support and a winding with a double layer technology of copper wire with an aluminum core. High grade ferrite magnet, a type of magnet with significantly higher performance than the classic "standard" ones.

SPECIFICATIONS			
Technical Characteristics	Symbol	Value	Units
GENERAL DATA			
Overall Dimension	D x h	165x 71	mm
Nominal Power Handling (AES)*	P	120	W
Transient Power *	Pp	240	W
Sensivity 1W/1m	SPL	88.5	dB SPL
Frequency Response		65 - 9000	Hz
Cone Material	Fiber reinforced high strength paper cone		
*Nominal and Transiet power @ High Pass 80Hz - 12db/Oct			

ELECTRICAL DATA			
Nominal Impedance	Z	4	Ω
DC Resistance	Ω	3.11	Ω
Voice coil Inductance	Lbm	0.754	μH
VOICE COIL AND MAGNET PARAMETERS			
Voice Coil Diameter	Dia	25	mm
Voice coil Height	h	10.5	mm
Magnetic Gap Height	HE	4.0	mm
Max Linear excursion	Xmax	±3.25	mm
Voice Coil Former	Aluminum		
Number of layers	n	2	
Magnet System	Ferite Y-35		
Efficiency	η°	0.446	%
BL Product	BxL	4.39	Na
Magnet dimension	∅ x ∅ x h	85X32x15	mm

T&S PARAMETERS			
Suspension Compliance	Cms	0.516	N/m
Mechanical Q Factor	Qms	3.026	
Electrical Q Factor	Qes	0.766	
Total Q Factor	Qts	0.611	
Moving Mass	mms	11.63	g
Eq. Comp. Air Load	VAS	13.93	l
Resonance Frequency	Fs	64.98	Hz
Effective Piston Area	SD	132.73	cm ²



All measurements in millimeters