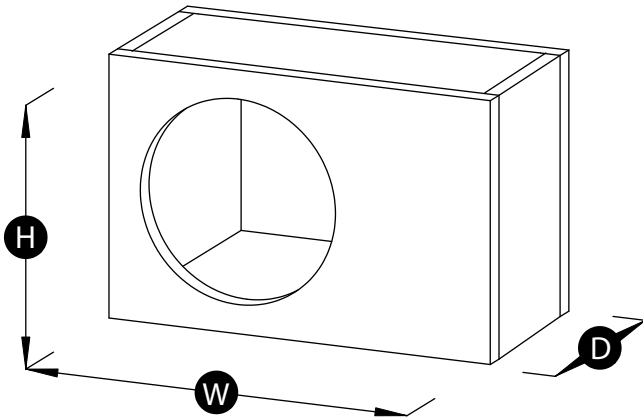


Polystyrene cone
 Long travel rubber surround
 2"/51 mm voice coil
 40.5 Oz Ferrite magnet
 Steel basket
 Nominal power handling: 250 Watt
 Transient power: 500 Watt
 Impedance: 4+4 Ω (1.10SD4)
 2+2 Ω (1.10SD2)
 Sensitivity: 90 dB (1.10SD4)
 93 dB (1.10SD2)
 Frequency Response: 30-400 Hz



T&S Parameters

	1.10SD4	1.10SD2
Free air resonance (Fs):	34.2 Hz	34.6 Hz
Electrical "Q" (Qes):	0.89	0.72
Mechanical "Q" (Qms):	5.42	4.58
Total speaker "Q" (Qts):	0.76	0.62
Equivalent Compliance (Vas):	27.6 L	26.8 L
Effective piston area (Sd):	338.1 mm ²	338.1 mm ²
Mechanical resistance (Kg/s):	5.0	6.1
DC resistance* (Re, Ohm):	1.8	1.0
Suspension compliance (Cms):	0.17 mm/N	0.17 mm/N
Moving mass (Mms):	124.1 gr	127.5 gr
Voice coil inductance (@1KHz):	0.5 mH	0.3 mH

Recommended Sealed Enclosure

- Volume (Net int.):
0.77 ft³ / 22 lit.
- External dimension (W,H,D):
18.50 × 13.78 × 5.12"
470 × 350 × 130 mm

Note: Dimension are assume with 3/4" material (19 mm). This is the suggested thickness. Less thickness may compromise box rigidity with leak bass response. Add inside the damping material for about 75% of the volume.

