

SUPERRELAX

BLAM
FRENCH SOUND

Driven by passion.

SR165 S Woofer

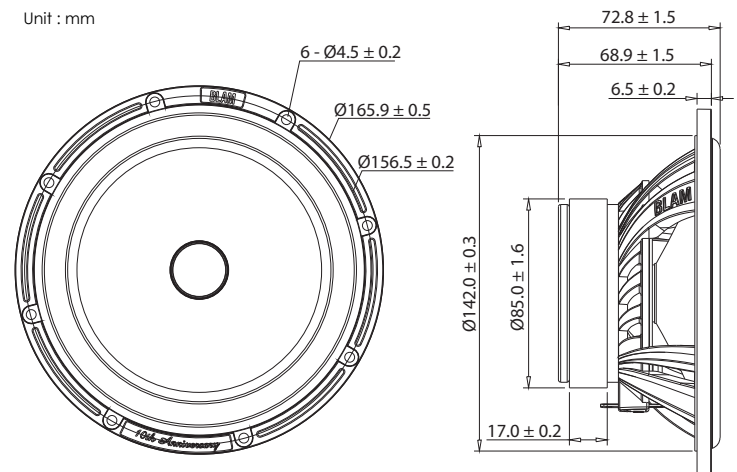
- Woofer 6-1/2" (165 mm)
- Max power 150 W / Nom. power 75 W
- Frequency response 60 Hz - 8 KHz
- Sensitivity 9 dB
- Impedance 3 Ohms



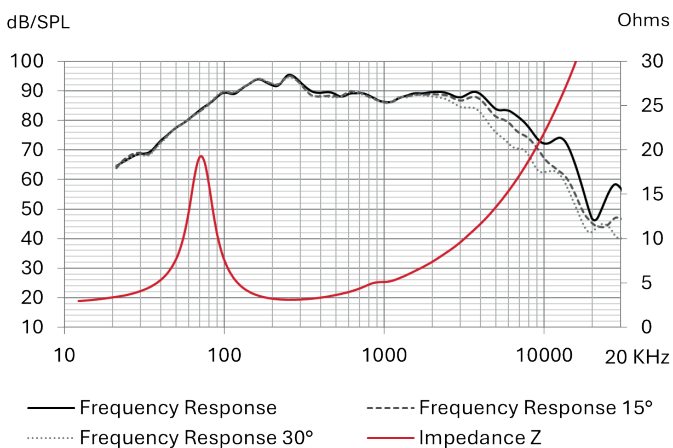
TECHNICAL SPECIFICATIONS

Component	Speakers	
Max power	150 W	
Nominal power	75 W	
Impedance	3 Ω	
Freq. Response	60 Hz - 8 KHz	
Sensitivity (2,83V/1m)	94 dB	
Magnet	Ferrite	
Magnet size Ø x h	85 x 17 mm	3.346" x 0.669"
Total driver displacement	0,11 l	0.004 cf
Weight of one component	1.04 kg	2.286 lb
Voice coil Ø	25 mm	0.984"
Voice coil height	12 mm	0.472"
Cone	Treated cellulose pulp	

Unit : mm



FREQUENCY RESPONSE / IMPEDANCE



THIELE-SMALL PARAMETERS

effective Ø (d)	115.2 mm
Sd	132.73 cm ²
Xmax	3.7 mm
Re	2.70 Ω
Fs	71.04 Hz
Le	440 µH @ 1 kHz
L2	300 µH @10 kHz
Vas	8.94 L
Mms	13.81 g
Cms	0.000363 m/N
BL	5.27 Tm
Qts	0.53
Qes	0.60
Qms	4.18
Sensitivity (dB/W/m)	89.27 dB

contact@blam-audio.fr

www.facebook.com/blamaudio

www.blam-audio.com