

# Signature



Driven by passion.

## S 6.85

### HIGH FIDELITY WOOFER

- Woofer 6-1/2" (165 mm)
- Max power 200 W / Nom. power 100 W
- Frequency response 45 Hz - 5 KHz
- Impedance 3 Ω

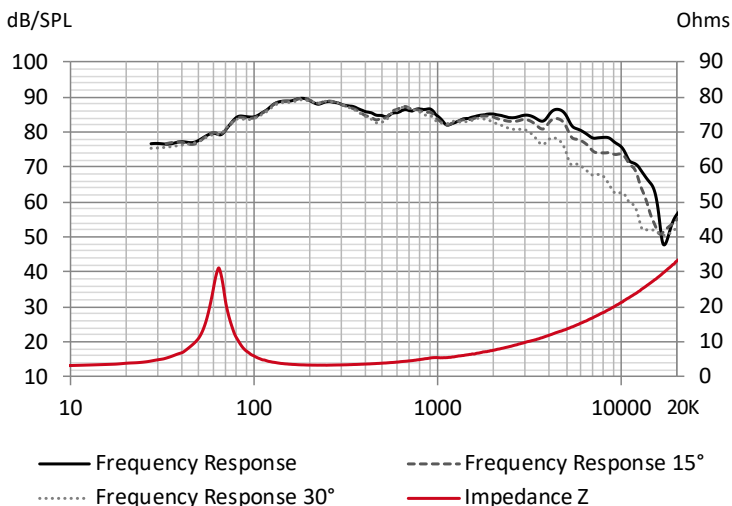
Die cast aluminium basket - Ultra rigid carbon fiber cone - NBR surround - Long life "Conex" spider - 32 mm voice coil fiberglass former - 85 mm x 20 mm oversized Magnetic motor - Machined pole pieces - Gold-plated terminal



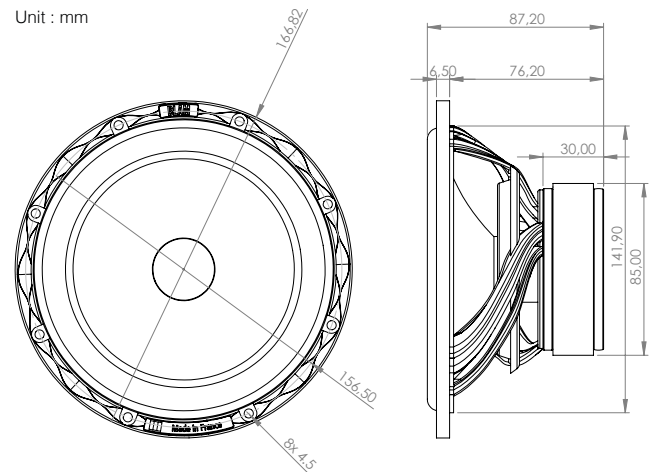
### TECHNICAL SPECIFICATIONS

<b>Component</b>	Woofer	
<b>Max power</b>	200 W	
<b>Nominal power</b>	100 W	
<b>Impedance</b>	3 Ω	
<b>Freq. Response</b>	45 Hz - 5 KHz	
<b>Sensitivity (2,83V/1m)</b>	91,7 dB	
<b>Magnet</b>	Ferrite	
<b>Magnet size Ø x h</b>	85 x 20 mm	3,35" x 0,79"
<b>Total driver displacement</b>	0,3 l	0,011 cf
<b>Weight of one component</b>	1,25 kg	2,756 lb
<b>Voice coil Ø</b>	32 mm	1,260"
<b>Voice coil height</b>	15 mm	0,591"
<b>Cone</b>	Carbon fiber	

### FREQUENCY RESPONSE / IMPEDANCE



Unit : mm



### THIELE-SMALL PARAMETERS

<b>effective Ø (d)</b>	128 mm
<b>Sd</b>	128,68 cm <sup>2</sup>
<b>Xmax</b>	5 mm
<b>Re</b>	3,1 Ω
<b>Fs</b>	64,31 Hz
<b>Le</b>	156,81 µH @ 1 kHz
<b>Le</b>	395,30 µH @ 10 kHz
<b>Vas</b>	9,78 L
<b>Mms</b>	14,56 g
<b>Cms</b>	0,000421 m/N
<b>BL</b>	5,42 Tm
<b>Qts</b>	0,59
<b>Qes</b>	0,66
<b>Qms</b>	5,44
<b>Sensitivity (dB/W/m)</b>	87,6 dB

contact@blam-audio.fr  
www.facebook.com/blamaudio  
www.blam-audio.com